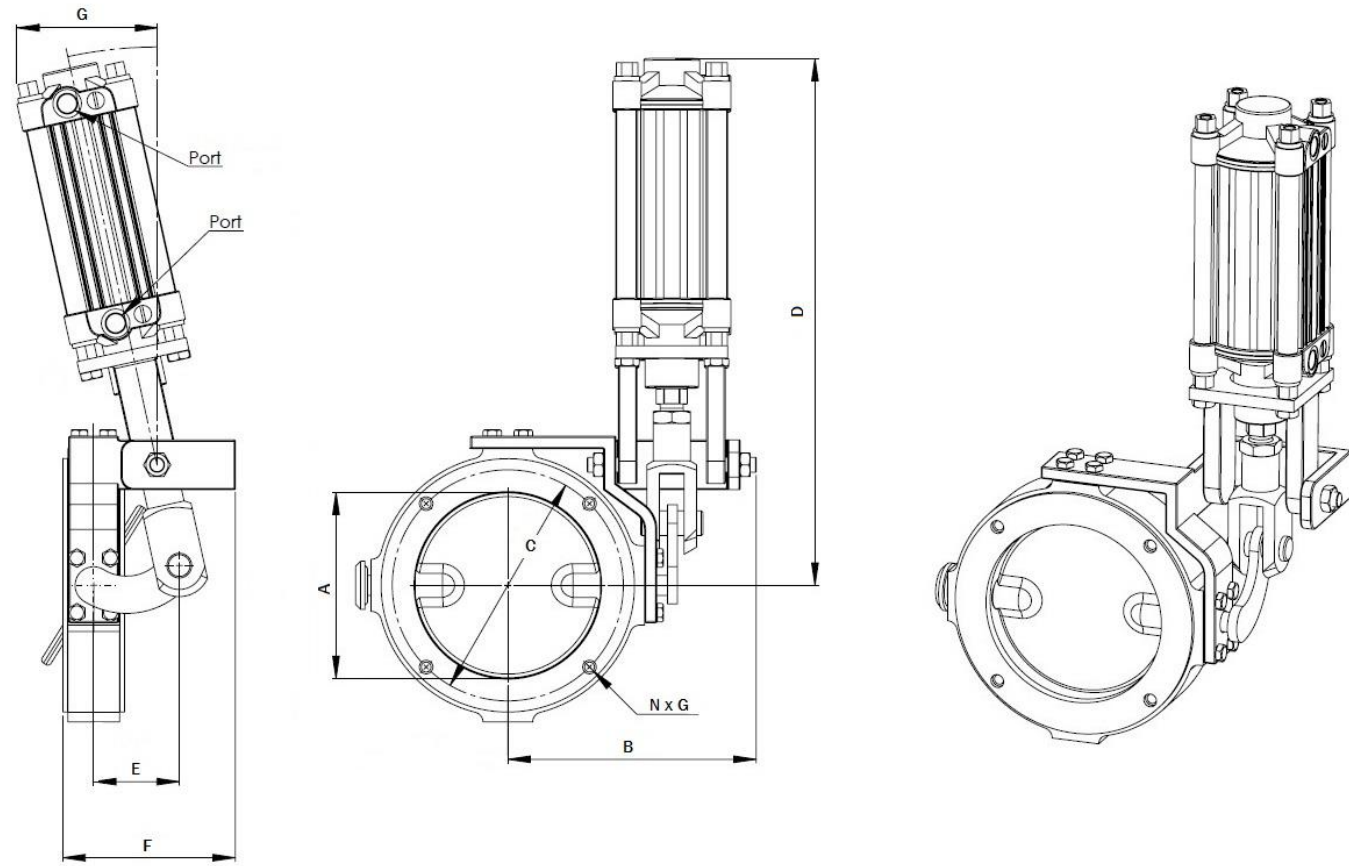


**HULUHAMMAR butterfly valve – pneumatic cylinder**



*Huluhammars Bruk*

www.huluhammar.se

Valve	A	B	C	D	E	F	G max	N x G	Cylinder stroke	Cylinder ø	Total weight [kg]
<b>G-100</b>	100	155	137	370	50	120	90	4 x M8	100	50	6,0
<b>G-150</b>	150	200	186	410	50	135	90	4 x M8	100	80	10,5
<b>G-200</b>	200	225	240	510	75	160	125	6 x M8	160	80	13,5
<b>G-250</b>	250	310	310	530	75	180	125	6 x M10	160	100	24,0
<b>G-300</b>	300	310	360	590	75	180	115	8 x M10	160	100	26,0
<b>G-400</b>	400	420	495	900	200	330	200	16 x M12	400	100	70,0
<b>G-500</b>	500	470	600	900	200	330	200	20 x M12	400	100	84,0

All measurements in mm



**HULUHAMMAR butterfly valve for high temperatures**

Operating temperature	450°C max
Range of use	Hot gas, combustion exhaust
Valve sizes	100, 150, 200, 250, 300 mm
Lining	Steel S355JR (SS2172)
Valve disc	Acid proof steel EN 1.4432 (SS2343)
Valve body	Silumin
Axle bearing	Self-lubricating

To avoid hard-going in high temperatures the valve is made with a tolerance of 0,20 mm between valve disc and lining.

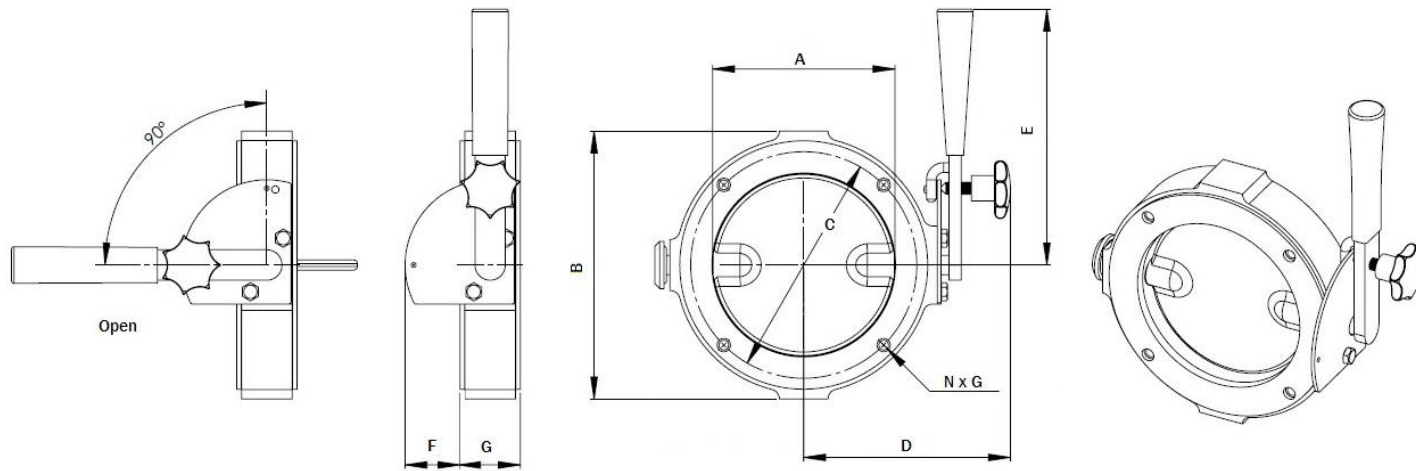
**AB Huluhammars Bruk**

Postal address	Visiting address	Telephone	Fax	Email	Web
P.O. Box 79 SE-562 02 Taberg SWEDEN	Bruksvägen 6 Taberg	+46 36 640 07	+46 36 32 77 59	info@huluhammar.se	www.huluhammar.se

**Made in Sweden  
since 1955**



## HULUHAMMAR butterfly valve - manual



Valve	A	B	C	D	E	F	G	N x G	Weight [kg]
G-100	100	170	137	140	185	35	50	4 x M8	3,1
G-150	150	220	186	165	185	35	50	4 x M8	4,4
G-200	200	270	240	190	245	35	50	6 x M8	5,5
G-250	250	350	310	230	295	40	60	6 x M10	11,1
G-300	300	400	360	255	350	40	60	8 x M10	12,7
G-400	400	550	495	320	720	75	100	16 x M12	44,0
G-500	500	650	600	370	720	75	100	20 x M12	58,0

All measurements in mm

### Material specification

Part	Material
Valve body	Silumin
Valve disc	Acid proof steel EN 1.4432 (SS2343)
Shafts, screws, control gear	Acid proof steel EN 1.4432 (SS2343)
Lining	Neoprene, Hypalon, Nitrile, EPDM, Viton, Steel, FDA approved white NBR <sup>1)</sup>
Axle bearing	Self-lubricating, double O-ring washers

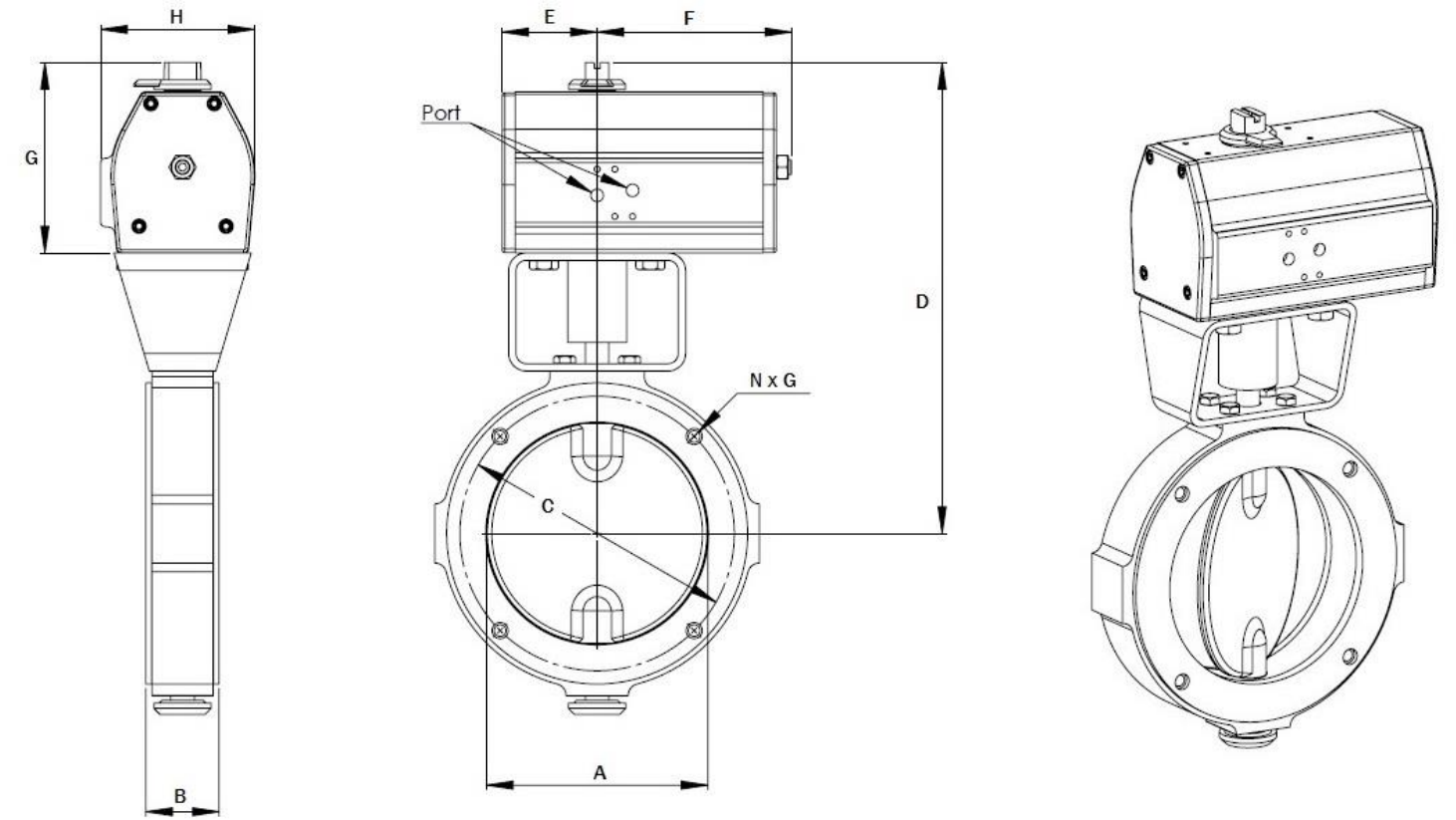
<sup>1)</sup>US Food and Drug Administration

All parts are changeable and a full line of spare parts are available

### Lining specification

Material in lining	Max. operating temp.	Max. temporary operating temp.
Steel	450°C	
Viton	200°C	250°C
Neoprene	100°C	140°C
Hypalon	100°C	140°C
Nitrile	70°C	
EPDM	120°C	
NBR (white)	85°C	

## HULUHAMMAR butterfly valve - pneumatic actuator



Valve	Actuator double acting	A	B	C	D	E	F	G	H	N x G	Total weight [kg]
G-100	RC220-DA	100	50	137	260	98	98	95	73	4 x M8	4,7
G-150	RC230-DA	150	50	186	320	65	135	130	104	4 x M8	7,9
G-200	RC230-DA	200	50	240	345	65	135	130	104	6 x M8	9,0
G-250	RC240-DA	250	60	310	385	135	135	130	104	6 x M10	16,0
G-300	RC240-DA	300	60	360	410	135	135	130	104	8 x M10	17,6
G-400	RC260-DA	400	100	495	530	190	190	175	144	16 x M12	56,5
G-500	RC260-DA	500	100	600	580	190	190	175	144	20 x M12	70,5

All measurements in mm

### Accessories

- ✓ Magnetic valve and limit switches
- ✓ Flange rings
- ✓ Sack closing ring
- ✓ Pneumatic sluice valves
- ✓ Valves completely made in acid proof steel
- ✓ Valves equipped with worm gear motor (IP55 or ATEX)